

This document contains proprietary information and such information may not be disclosed to others for any purposes,
not used for sales/marketing/procurement purposes without written permission

REV	DESCRIPTION OF REVISION	ECN NO.	BY	DATE	APPROVED
A	Initial Release	—	H.wei	23/5/07	23/5/07

1 Electrical 电气性能

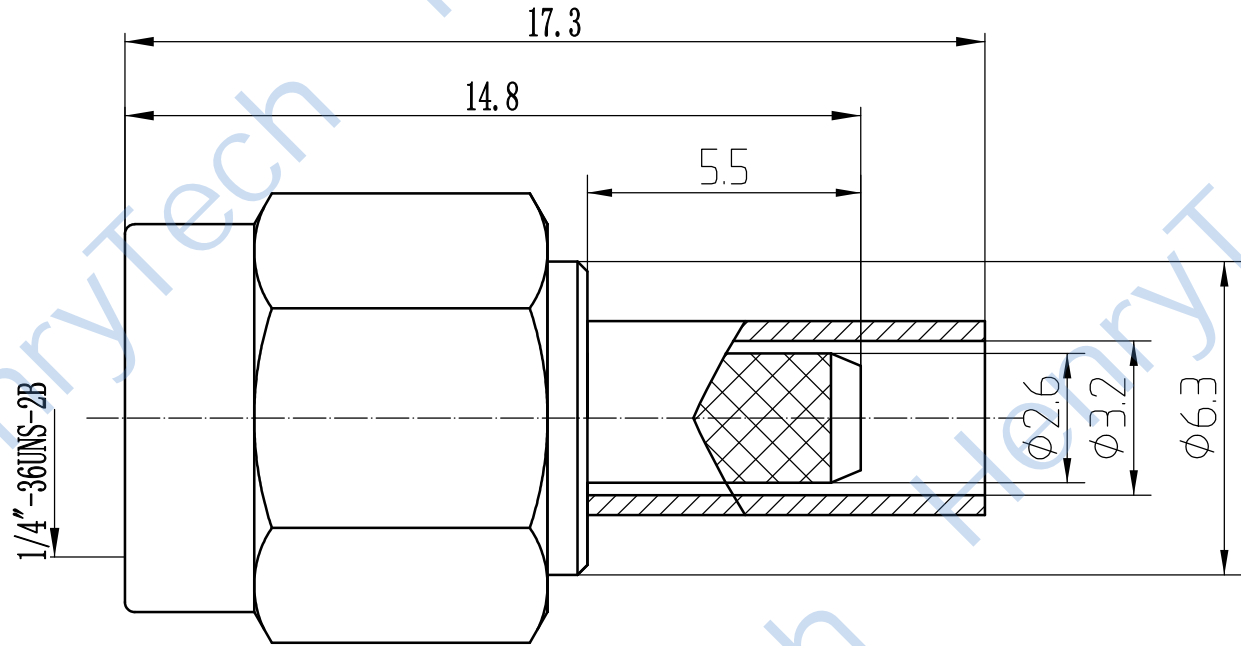
- 1.1 Impedance 特性阻抗: 50 Ω
- 1.2 Frequency 频率范围: DC~6.0GHz
- 1.3 VSWR 电压驻波比: ≤1.25
- 1.4 Insertion Loss (dB): ≤0.05xSq. (f_GHz)
- 1.5 Insulation resistance 绝缘电阻: ≥5000MΩ
- 1.6 Dielectric withstanding voltage 介质耐压: 1000V

2 Environmental & Mechanical 环境 & 机械性能

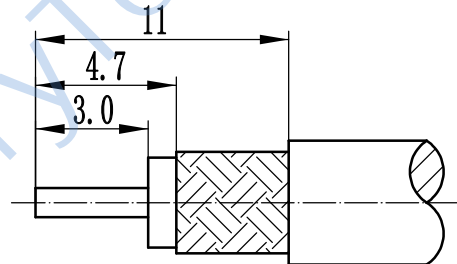
- 2.1 Temperature range 温度范围: -55℃~+125℃
- 2.2 RoHS Compliant 符合RoHS
- 2.3 Durability 寿命: >500 cycles (次)

3 Materials & Finish 材料 & 涂镀

- 3.1 Body 外壳: Brass, Gold Plated 黄铜, 镀金
- 3.2 Insulator 绝缘介质: Teflon 聚四氟乙烯
- 3.3 Contact Pin 中心导体: Brass, Gold Plated 黄铜, 镀金
- 3.4 Coupling Nut 连接螺套: Brass, Gold Plated 黄铜, 镀金
- 3.5 Crimp Ferrul 压接管: Brass, Nickel Plated 黄铜, 镀镍



Recommended Mounting Hole



Notes:

- 1. ALL SPECIFICATIONS ARE SUBJECT TO CHANGE NOTICE AT ANY TIME
- 2. CUSTOMER OUTLINE DRAWING FOR REFERENCE ONLY

DRAWN : H.wei 23/5/07 ENGINEER: L.yu 23/5/07 APPROVED : W.yi 23/5/07	TITLE: RF Coaxial Connector SMA Male Str. Conn. for Cable RG174/RG316/LMR100	
TOLERANCES UNLESS OTHERWISE SPECIFIED X ±0.50 .X ±0.20 .XX ±0.10 ANGLES ±1°	PART NO: HL-SMA-J3F	DIMENSION IN MILLIMETERS (mm)
SIZE: A4	SCALE: N/A	SHEET: 1/1 REV: A