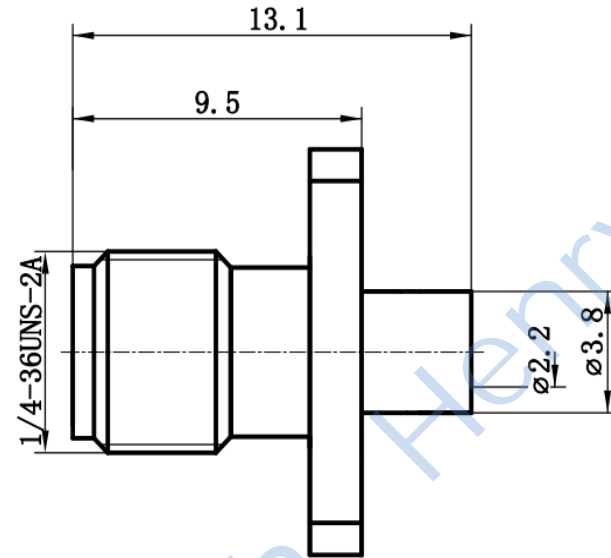
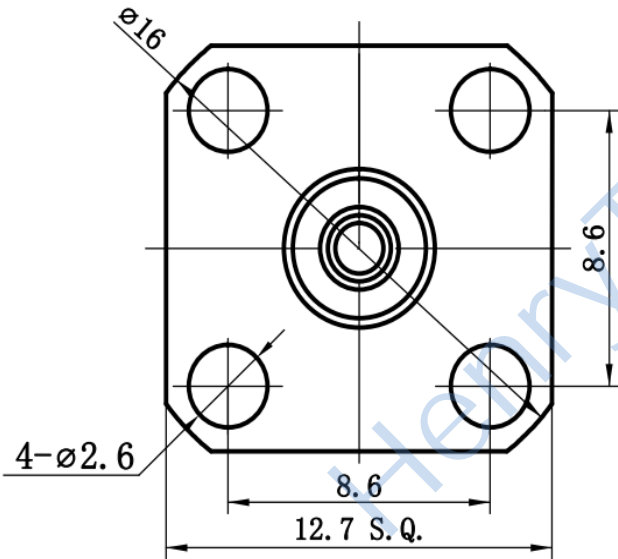


This document contains proprietary information and such information may not be disclosed to others for any purposes, not used for sales/marketing/procurement purposes without written permission

REV	DESCRIPTION OF REVISION	ECN NO.	BY	DATE	APPROVED
A	Initial Release	—	H.wei	26/8/16	26/8/16





- 1 Electrical**
- 1.1 Impedance 50 Ω
 - 1.2 Frequency DC~6GHz
 - 1.2 Dielectric withstanding voltage 1000V (volts RMS)
 - 1.3 Center contact resistance ≤ 3M Ω
 - 1.4 Outer contact resistance ≤ 2M Ω
 - 1.5 Insulation resistance: ≥5000M Ω

- 2 Environmental&Mechanical**
- 2.1 Temperature range -45°C~85°C
 - 2.2 RoHs Compliant
 - 2.3 Durability >500 cycles

- 3 Materials&plating**
- 3.1 Body: Brass, Gold plated
 - 3.2 Insulator: Teflon
 - 3.3 Contact Pin: Beryllium Copper Gold plated

Notes:

- 1. ALL SPECIFICATIONS ARE SUBJECT TO CHANGE NOTICE AT ANY TIME
- 2. CUSTOMER OUTLINE DRAWING FOR REFERENCE ONLY

DRAWN : H.wei 26/8/16 ENGINEER: L.yu 26/8/16 APPROVED : W.yi 26/8/16 TOLERANCES UNLESS OTHERWISE SPECIFIED X ±0.50 .X ±0.20 .XX ±0.10 ANGLES ±1°	TITLE: RF Coaxial Connector SMA Female Flange Conn. For.086 Cable	  DIMENSION IN MILLIMETERS (mm)		
PART NO: HL-SMA-KFB2A	SIZE: A4	SCALE: N/A	SHEET: 1/1	REV: A